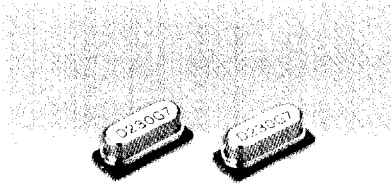
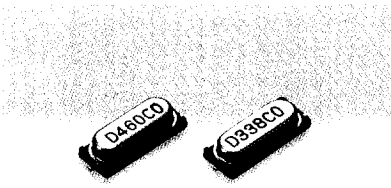


SMD Type

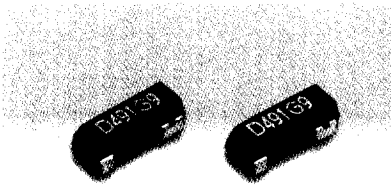
SMD-49, SMD-49TA/TB, DMX-38 (AT)



SMD-49



SMD-49TA/TB



DMX-38 (AT)

Refer to the next page for the tuning fork type of DMX-38.

FEATURES

SMD-49, SMD-49TA/TB

- AT-49 type resonator re-packaged into a surface mountable devices.
- Completely hermetical sealed in a metal can to guarantee high quality performance.
- Suitable for reflow SMT.

DMX-38 (AT)

- AT-38 type resonator re-packaged into a surface mountable device.
- Completely hermetical sealed in a metal can to guarantee high quality performance.
- Suitable for reflow SMT.

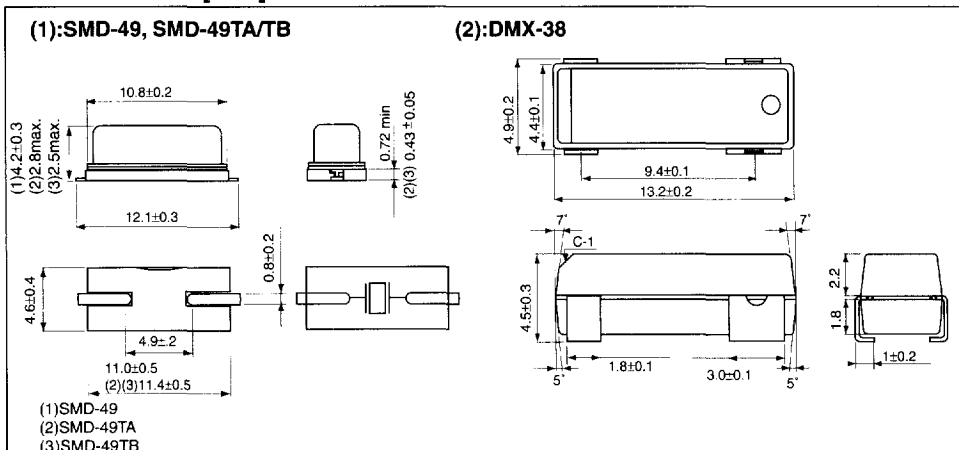
GENERIC SPECIFICATION

ITEM \ TYPE	SMD-49	SMD-49TA	SMD-49TB	DMX-38(AT)
Frequency Range	3.2~70.0MHz	3.579~ <16.000MHz	16.000~ 70.000MHz	3.57~25MHz
Frequency Tolerance	±50ppm, ±100ppm (at 25°C)			
Series Resistance	40~300Ω	40~300Ω	40~100Ω	40~300Ω
Freq Stability(Temp)	±50ppm, ±100ppm			
Operating Temp Range	-10~+60°C			
Drive Level	Fund 10μW (300μW max.) 3rd 50μW (1MW max.)			
Shunt Capacitance	7pF max.			
Storage Temp Range	-30~+80°C			
Aging Range	±5ppm max./year			
Mode Of Vibration	Fund, 3rd			

Packing unit: SMD-49,DMX-38(AT) 1000pcs/reel
SMD-49TA/TB 2000pcs/reel

Please contact your KDS sales representative to discuss particular spec requirements.

DIMENSIONS[mm]



RECOMMENDED LAND PATTERN [mm]

